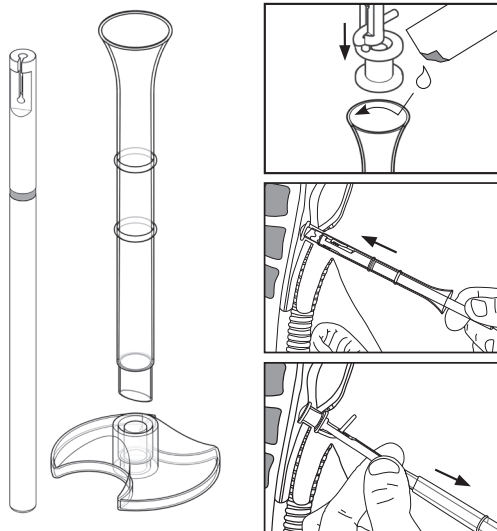


LARYVOX® INSERTER UNIEK PRO

REF 25930



- ▶ The **LARYVOX® INSERTER UNIEK PRO** consists of a placement instrument as well as an applicator. It facilitates the perfect anterograde placement or replacement of the **LARYVOX® UNIEK** voice prosthesis.
- ▶ The placement instrument features a fixation option for secure placement of the voice prosthesis.
- ▶ The applicator enables effortless insertion of the voice prosthesis and can be prepared in a few steps.
- ▶ The rounded applicator tip furthermore facilitates gentle placement and renders changing the voice prosthesis as comfortable as possible.

SCOPE OF DELIVERY

LARYVOX® INSERTER UNIEK PRO REF 25930

- 1 x Placement instrument (white)
- 1 x Applicator
- 1 x Adapter
- 1 x Lubrication gel
- 1 x Instructions for Use

This inserter is used exclusively in conjunction with the **LARYVOX® UNIEK**.

The voice prosthesis is not included in the scope of delivery and must be ordered separately. Please observe the instructions for use of the voice prosthesis!

Product	Unit	REF
LARYVOX® INSERTER UNIEK PRO	1 piece	25930



LARYVOX® INSERTER

ASSIGNMENT



Take into consideration beforehand the length (xx) of the voice prosthesis to be inserted.

REF	Name voice prosthesis	Lenght	INSERTER
20 FRENCH			
AD20xx-NS	ADVANTAGE Indwelling 20 Fr. Voice Prosthesis	06-14 mm	●
AD2004-NS	ADVANTAGE Indwelling 20 Fr. Voice Prosthesis	04 mm	●
AS20xx-NS	ADVANTAGE Indwelling 20 Fr. Voice Prosthesis	06-14 mm	●
AS2004-NS	ADVANTAGE Indwelling 20 Fr. Voice Prosthesis	04 mm	●
DV20xx-LF	DUAL VALVE Indwelling LF 20 Fr. Voice Prosthesis	06-14 mm	●
DV20xx-NS	DUAL VALVE Indwelling 20 Fr. Voice Prosthesis	06-14 mm	●
IN2004-NS	CLASSIC Indwelling 4 mm 20 Fr. Voice Prosthesis	04 mm	●
IN20xx-NS	CLASSIC Indwelling 20 Fr. Voice Prosthesis	06-20 mm	●
IN2004-LEF	CLASSIC Indwelling LEF 4 mm 20 Fr. Voice Prosthesis	04 mm	●
IN20xx-LEF	CLASSIC Indwelling LEF 20 Fr. Voice Prosthesis	06-14 mm	●
IN20xx-IR	CLASSIC Indwelling IR 20 Fr. Voice Prosthesis	06-12 mm	●
IN2004-LEIR	CLASSIC Indwelling LEIR 20 Fr. 4 mm Voice Prosthesis	04 mm	●
IN20xx-LEIR	CLASSIC Indwelling LEIR 20 Fr. Voice Prosthesis	06-08 mm	●
IN20xx-LESL	CLASSIC Indwelling LESL 20 Fr. Voice Prosthesis	05 und 07 mm	●
IN2004-LETO	TEP Occluder Indw. LETO 20 Fr. 4 mm Voice Prosthesis	04 mm	●
IN20xx-LETO	TEP Occluder Indw. LETO 20 Fr. Voice Prosthesis	06-14 mm	●
IN2004-LF	CLASSIC Indwelling LF 20 Fr. 4 mm Voice Prosthesis	04 mm	●
IN20xx-LF	CLASSIC Indwelling LF 20 Fr. Voice Prosthesis	06-14 mm	●
IN20xx-SL	CLASSIC Indwelling SL 20 Fr. Voice Prosthesis	05,07 und 09 mm	●
IN20xx-SO	CLASSIC Indwelling STERIL 20 Fr. Voice Prosthesis	08-14 mm	●
25010-xx	LARYVOX® Uniek U.L.R. 21 Fr.	05-13 mm	●
25020-xx	LARYVOX® Uniek U.L.R. 24 Fr.	05-13 mm	●

REF	Name voice prosthesis	Lenght	INSERTER
16 FRENCH			
AS1604-NS	ADVANTAGE Indwelling 16 Fr. Voice Prosthesis	04 mm	●
AS16xx-NS	ADVANTAGE Indwelling 16 Fr. Voice Prosthesis	06-14 mm	●
IN1604-NS	CLASSIC Indwelling 4 mm 16 Fr. Voice Prosthesis	04 mm	●
IN16xx-NS	CLASSIC Indwelling 6 mm 16 Fr. Voice Prosthesis	06-20 mm	●
IN16xx-SO	CLASSIC Indwelling STERIL 10 mm 16 Fr. Voice Prosthesis	08-14 mm	●
IN16xx-IR	CLASSIC Indwelling IR 16 Fr. Voice Prosthesis	06-12 mm	●
IN1604-LEF	CLASSIC Indwelling LEF 4 mm 16 Fr. Voice Prosthesis	04 mm	●
IN16xx-LEF	CLASSIC Indwelling LEF 16 Fr. Voice Prosthesis	06-14 mm	●
IN16xx-LESL	CLASSIC Indwelling LESL 16 Fr. Voice Prosthesis	05 und 07 mm	●
IN1604-LETO	CLASSIC Indwelling LETO 4 mm 16 Fr. Voice Prosthesis	04 mm	●
IN16xx-LETO	CLASSIC Indwelling LETO 16 Fr. Voice Prosthesis	06-14 mm	●
IN1604-LF	CLASSIC Indwelling LF 4 mm 16 Fr. Voice Prosthesis	04 mm	●
IN16xx-LF	CLASSIC Indwelling LF 16 Fr. Voice Prosthesis	06-14 mm	●
IN16xx-SL	CLASSIC Indwelling SL 16 Fr. Voice Prosthesis	05,07 und 09 mm	●
IN16xx-SO	CLASSIC Indwelling STERIL 16 Fr. Voice Prosthesis	08-14 mm	●
Insert with gel capsule technique			
IN20xx-NS	CLASSIC Indwelling 20 Fr. Voice Prosthesis	06-20 mm	●
AD20xx-NS	ADVANTAGE Indwelling 20 Fr. Voice Prosthesis	06-14 mm	●
AS20xx-NS	ADVANTAGE Indwelling 20 Fr. Voice Prosthesis	06-14 mm	●
IN20xx-LF	CLASSIC Indwelling LF 20 Fr. Voice Prosthesis	06-14 mm	●
IN20xx-LEF	CLASSIC Indwelling LEF 20 Fr. Voice Prosthesis	06-14 mm	●
IN20xx-SL	CLASSIC Indwelling SL 20 Fr. Voice Prosthesis	05,07 und 09 mm	●
IN20xx-LEIR	CLASSIC Indwelling LEIR 20 Fr. Voice Prosthesis	05 und 07 mm	●
IN20xx-LESL	CLASSIC Indwelling LESL 20 Fr. Voice Prosthesis	05 und 07 mm	●
IN20xx-IR	CLASSIC Indwelling IR 20 Fr. Voice Prosthesis	06-12 mm	●
IN20xx-LETO	TEP Occluder Indw. LETO 20 Fr. Voice Prosthesis	06-14 mm	●



Andreas Fahl Medizintechnik-Vertrieb GmbH is exclusive sales partner for Blom-Singer® products in selected countries in Europe. Blom-Singer® is a registered trademark of Freudenberg Medical, LLC.