

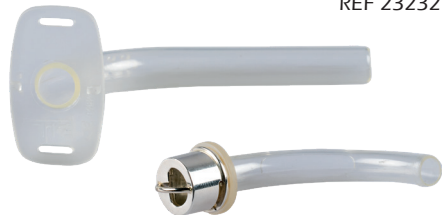
# DURAPUR® LINGO-PHON

1 ICF / XL 1 ICF

REF 23032



REF 23232



LINGO



PHON

- ▶ Tracheostomy tube for long-term use, can be used up to 6 months
- ▶ Outer cannula with sieve-fenestration with inner cannula fenestrated with silver speaking valve (PHON ICF)
- ▶ The DURAPUR® tracheostomy tubes are made of thermosensitive medical synthetics that develop their optimal product properties at body temperature
- ▶ Rounded tube tip to prevent irritation of the mucous membranes in the trachea
- ▶ Transparent, inconspicuous design
- ▶ Available in two different lengths: Standard and Extra-long (XL)
- ▶ Standard length from size 7-12, extra-long (XL) variants from size 8-10
- ▶ Inner cannula (PHON-ICF) also available separately (REF 23808), size to be selected according to the size of the DURAPUR® outer cannula

## SCOPE OF DELIVERY

- ▶ Including tube holder (NECKFIX®) and a product ID card
- ▶ Manual

### DURAPUR® LINGO-PHON 1 ICF REF 23032

1 x Tracheostomy tube with sieve-fenestration  
1 x Inner cannula, fenestrated, with silver speaking valve (PHON ICF)

or

### DURAPUR® LINGO-PHON 1 (XL) ICF REF 23232

1 x Tracheostomy tube with sieve-fenestration  
1 x Inner cannula, fenestrated, with silver speaking valve (PHON ICF)

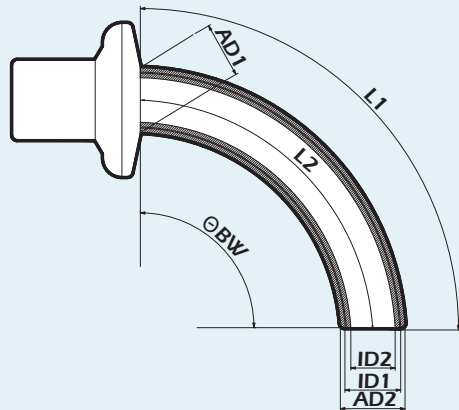
When ordering, please state the size after the item number!

Optional accessories:

### DURAPUR® PHON ICF REF 23808

Inner cannula, fenestrated, with silver speaking valve, size 7-12

## TECHNICAL DRAWING



CE 0482

Size	AD1 Flange	AD2 Tip	ID1 AK	ID2 IC	L1 AB	L2 MB	L1 AB XL	L2 MB XL	Ø BW	REF	REF XL
07	10,6	8,7	7,2	5,6	65,0	60,0	-	-	90°	23032-07	-
08	12,5	10,4	8,2	6,1	70,0	62,0	105,0	95,0	90°	23032-08	23232-08
09	13,6	11,3	9,3	7,1	75,0	68,0	110,0	100,0	90°	23032-09	23232-09
10	14,6	12,4	10,0	8,0	85,0	75,0	115,0	104,0	90°	23032-10	23232-10
11	15,3	13,3	11,1	9,0	87,0	75,0	-	-	90°	23032-11	-
12	16,5	14,3	12,3	10,2	90,0	78,0	-	-	90°	23032-12	-

All lengths in mm | AD1 = Outer diameter at the neck flange | AD2 = Outer diameter at cannula tip | ID1 = Inner diameter at the cannula tip of the outer cannula | ID2 = Inner diameter at the tip of the inner cannula | L1 AB = Length over the outer curve | L2 MB = Length over the middle curve | Ø-CD = CUFF diameter | Ø-BW = Bending angle | IC = Inner cannula | AK = Outer cannula

## PIKTOGRAMME



UNI

DE	<b>Außenkanüle 15 mm-Konnektor (UNI)</b>
EN	Outer cannula including 15 mm-connector (UNI)
FR	Canule externe avec connecteur 15 mm (UNI)
NL	Buitencanule inclusief 15 mm-connector (UNI)
ES	Cánula externa con conector de 15 mm (UNI)
SV	Ytterkanyl inklusive 15 mm anslutning (UNI)



VARIO

DE	<b>Außenkanüle 15 mm-Drehkonnektor (VARIO)</b>
EN	Outer cannula including 15 mm-swivel connector (VARIO)
FR	Canule externe avec connecteur rotatif 15 mm (VARIO)
NL	Buitencanule inclusief 15 mm-swivel-connector (VARIO)
ES	Cánula externa con conector rotatorio de 15 mm (VARIO)
SV	Ytterkanyl inklusive 15 mm vridanslutning (VARIO)



KOMBI

DE	<b>Innenkanüle mit 22 mm-Konnektor (KOMBI)</b>
EN	Inner cannula with 22 mm-connector (KOMBI)
FR	Canule interne avec connecteur 22 mm (KOMBI)
NL	Binnencanule met 22 mm-connector (KOMBI)
ES	Cánula interna con conector de 22 mm (KOMBI)
SV	Innekanyl med 22 mm anslutning (KOMBI)



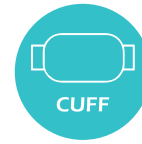
LINGO

DE	<b>Mehrere kleine Löcher in einer bestimmten Anordnung, das sogenannte „Sieb“ (LINGO)</b>
EN	Several small holes in a specific arrangement in the center of the tube, is referred to as „sieve“ (LINGO)
FR	Plusieurs petits trous disposés d'une certaine manière et appelés « perforations » (LINGO)
NL	Meerdere kleine zeef-gaatjes in een specifieke rangschikking in het midden van de buitencanule, de zogenoemde `zeef` (LINGO)
ES	Perforaciones de pequeño tamaño con una disposición específica en el centro del tubo; fenestración en tamiz (LINGO)
SV	Flera små hål i en specifik ordning, ett så kallad sil (LINGO)



PHON

DE	<b>Sprechventil (PHON)</b>
EN	Speaking valve (PHON)
FR	Valve de phonation (PHON)
NL	Spreekventiel (PHON)
ES	Válvula fonatoria (PHON)
SV	Talventil (PHON)



CUFF

DE	<b>Mit CUFF</b>
EN	With CUFF
FR	Avec ballonnet (CUFF)
NL	Met CUFF
ES	Con balón (CUFF)
SV	Med CUFF



SUCTION

DE	<b>Mit Absaugvorrichtung (SUCTION)</b>
EN	With suction line (SUCTION)
FR	Avec dispositif d'aspiration (SUCTION)
NL	Met afzuigkanaal (SUCTION) voor subglottisch afzuigen van secret boven de cuff
ES	Con línea de succión (SUCTION)
SV	Med sugslang (SUCTION)

O<sub>2</sub>

DE	<b>Mit einem O<sub>2</sub>-Anschluss</b>
EN	With oxygen support
FR	Avec raccord O <sub>2</sub>
NL	Met zuurstofaansluiting (O <sub>2</sub> -support)
ES	Con puerto de oxígeno
SV	Med O <sub>2</sub> -anslutning



MRT

DE	<b>MRT geeignet</b>
EN	MRT suitable
FR	IRM-compatible
NL	Geschikt voor MRT
ES	Compatible con resonancia Magnética
SV	MR-kompatibel