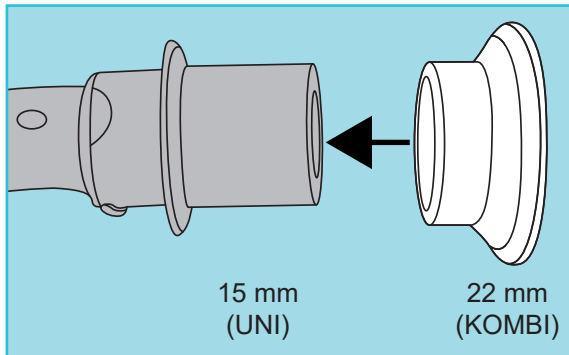


# LARYVOX<sup>®</sup> ADAPT

15 mm > 22 mm

- ▶ Permits the connection of aids such as HMEs with a 22 mm-connector (KOMBI) to a tracheostomy tube with a 15 mm-connector (UNI)
- ▶ There is at one end a 22 mm-connector, which is used for attaching an HME and has an adapter at the other end which can take a plug connection with a 15 mm-connector (UNI)



Single patient use



Consult instructions for use



CE marking

## Order information:

LARYVOX<sup>®</sup> Adapt, pack of 3

REF 48920