

LARYNGOTEC® PRO KOMBI CLIP / LARYNGOTEC® PRO KOMBI CLIP LINGO

REF 14835



REF 14825



- ▶ Tracheostomy tube for long-term use, can be used up to 3-6 months
- ▶ Medical grade silicone: soft, pliable, lightweight
- ▶ Turquoise-coloured ring behind the proximal cone of the cannula, which facilitates use of adhesive base plates.
- ▶ Transparent, inconspicuous design
- ▶ With 22 mm adapter (KOMBI) to connect HMEs
- ▶ The cannula is available in the sizes: 8,9,10 and 12 and in two lengths (36 mm / 55 mm)
- ▶ With (LARYNGOTEC® PRO KOMBI CLIP LINGO, REF 14825) or without (LARYNGOTEC® PRO KOMBI CLIP, REF 14835) sieve-fenestration
- ▶ Custom-made sieve-fenestration possible

SCOPE OF DELIVERY

- ▶ Including product ID card
- ▶ Manual

LARYNGOTEC® PRO KOMBI CLIP

1 x Tracheostomy tube **REF 14835**

or

LARYNGOTEC® PRO KOMBI CLIP LINGO

1 x Tracheostomy tube with sieve-fenestration **REF 14825**

When ordering, please state the size after the item number!



KOMBI

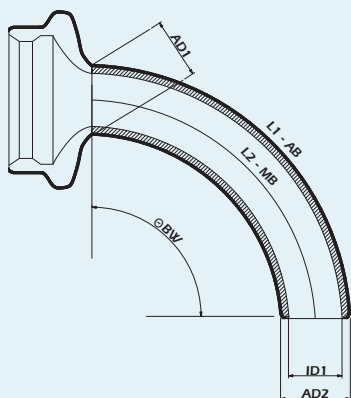


LINGO



MRT

TECHNICAL DRAWING



CE 0482

Size	AD1	AD2	ID1	L1 AB	L2 MB	Ø	REF	
	Flange	Tip	AK				PRO KOMBI CLIP	PRO KOMBI CLIP LINGO
08	12.0	12.0	9.5	42.0	36.0	54°	14835-0836	14825-0836
08	12.0	12.0	9.5	65.5	55.0	74°	14835-0855	14825-0855
09	13.5	13.5	10.5	42.0	36.0	54°	14835-0936	14825-0936
09	13.5	13.5	10.5	65.5	55.0	74°	14835-0955	14825-0955
10	15.0	15.0	12.0	42.0	36.0	54°	14835-1036	14825-1036
10	15.0	15.0	12.0	65.5	55.0	74°	14835-1055	14825-1055
12	17.0	17.0	13.5	42.0	36.0	54°	14835-1236	14825-1236
12	17.0	17.0	13.5	65.5	55.0	74°	14835-1255	14825-1255

All lengths in mm | AD1 = Outer diameter at the neck flange | AD2 = Outer diameter at cannula tip | ID1 = Inner diameter at the cannula tip of the outer cannula | ID2 = Inner diameter at the cannula tip of the inner cannula | L1 AB = Length over the outer curve | L2 MB = Length over the middle curve | Ø-CD = CUFF diameter | Ø-BW = Bending angle | IC = Inner cannula | AK = Outer cannula

PIKTOGRAMME



UNI

DE
EN
FR
NL
ES
SV

Außenkanüle 15 mm-Konnektor (UNI)

Outer cannula including 15 mm-connector (UNI)
 Canule externe avec connecteur 15 mm (UNI)
 Buitencanule inclusief 15 mm-connector (UNI)
 Cánula externa con conector de 15 mm (UNI)
 Ytterkanyl inklusive 15 mm anslutning (UNI)



VARIO

DE
EN
FR
NL
ES
SV

Außenkanüle 15 mm-Drehkonnektor (VARIO)

Outer cannula including 15 mm-swivel connector (VARIO)
 Canule externe avec connecteur rotatif 15 mm (VARIO)
 Buitencanule inclusief 15 mm-swivel-connector (VARIO)
 Cánula externa con conector rotatorio de 15 mm (VARIO)
 Ytterkanyl inklusive 15 mm vridanslutning (VARIO)



KOMBI

DE
EN
FR
NL
ES
SV

Innenkanüle mit 22 mm-Konnektor (KOMBI)

Inner cannula with 22 mm-connector (KOMBI)
 Canule interne avec connecteur 22 mm (KOMBI)
 Binnencanule met 22 mm-connector (KOMBI)
 Cánula interna con conector de 22 mm (KOMBI)
 Innerkanyl med 22 mm anslutning (KOMBI)



LINGO

DE
EN
FR
NL
ES
SV

Siebung (LINGO)

Fenestration (LINGO)
 Perforations (LINGO)
 Zeving (LINGO)
 Perforación (LINGO)
 Filtrering (LINGO)

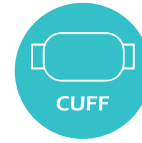


PHON

DE
EN
FR
NL
ES
SV

Sprechventil (PHON)

Speaking valve (PHON)
 Valve de phonation (PHON)
 Spreekventiel (PHON)
 Válvula fonatoria (PHON)
 Talventil (PHON)



CUFF

DE
EN
FR
NL
ES
SV

Mit CUFF

With CUFF
 Avec ballonnet (CUFF)
 Met CUFF
 Con balón (CUFF)
 Med CUFF



SUCTION

DE
EN
FR
NL
ES
SV

Mit Absaugvorrichtung (SUCTION)

With suction line (SUCTION)
 Avec dispositif d'aspiration (SUCTION)
 Met afzuigkanaal (SUCTION) voor subglottisch afzuigen van secreet boven de cuff
 Con linea de succión (SUCTION)
 Med sugslang (SUCTION)

O₂

DE
EN
FR
NL
ES
SV

Mit einem O₂-Anschluss

With oxygen support
 Avec raccord O₂
 Met zuurstofaansluiting (O₂-support)
 Con puerto de oxígeno
 Med O₂-anslutning



MRT

DE
EN
FR
NL
ES
SV

MRT geeignet

MRT suitable
 IRM-compatible
 Geschikt voor MRT
 Compatible con resonancia Magnética
 MR-kompatibel