

LARYNGOTEC® KOMBI / LARYNGOTEC® KOMBI LINGO

sterile

REF 14920



REF 14720



22 mm

KOMBI



LINGO

LINGO



MRT

MRT

- ▶ Tracheostomy tube for long-term use, can be used up to 3-6 months
- ▶ Medical grade silicone: soft, pliable, lightweight
- ▶ Neck flange perfectly adapted to neck anatomy, with lateral openings for fixation of tube holder
- ▶ Transparent, inconspicuous design
- ▶ With 22 mm adapter (KOMBI)
- ▶ Each size in different lengths
- ▶ With (LARYNGOTEC® KOMBI LINGO REF 14720) or without (LARYNGOTEC® KOMBI REF 14920) sieve fenestration
- ▶ Custom-made sieve-fenestration possible

SCOPE OF DELIVERY

- ▶ Including tube holder (OPTIFLAUSCH®) and a product ID card
- ▶ Manual

LARYNGOTEC® KOMBI REF 14920

1 x Tracheostomy tube

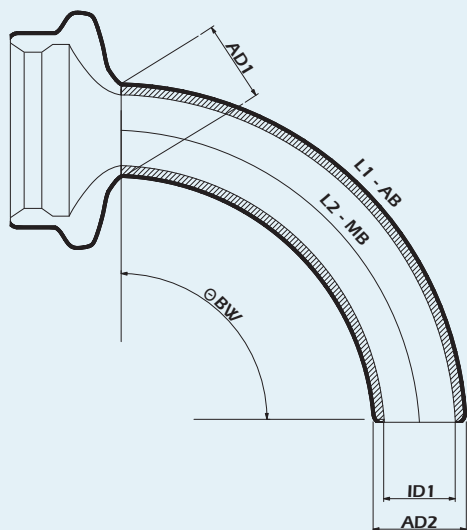
or

LARYNGOTEC® KOMBI LINGO REF 14720

1 x Tracheostomy tube with sieve-fenestration

When ordering, please state the size after the item number!

TECHNICAL DRAWING



CE 0482 STERILE EO

Size	AD1 Flange	AD2 Tip	ID1 AK	L1 AB	L2 MB	Ø BW	REF KOMBI	REF KOMBI LINGO
07	10.2	10.2	7.2	44.0	38.0	66°	14920-0744	14720-0744
07	10.2	10.2	7.2	62.0	54.0	92°	14920-0762	14720-0762
08	11.2	11.2	8.2	44.0	38.0	59°	14920-0844	14720-0844
08	11.2	11.2	8.2	62.0	54.0	82°	14920-0862	14720-0862
08	11.2	11.2	8.2	70.0	61.0	92°	14920-0870	14720-0870
09	12.4	12.4	9.4	44.0	36.0	56°	14920-0944	14720-0944
09	12.4	12.4	9.4	62.0	55.0	77°	14920-0962	14720-0962
09	12.4	12.4	9.4	75.0	65.0	93°	14920-0975	14720-0975
10	13.4	13.4	10.4	44.0	36.0	49°	14920-1044	14720-1044
10	13.4	13.4	10.4	62.0	55.0	67°	14920-1062	14720-1062
10	13.4	13.4	10.4	85.0	75.0	90°	14920-1085	14720-1085
11	14.4	14.4	11.4	44.0	36.0	48°	14920-1144	14720-1144
11	14.4	14.4	11.4	62.0	55.0	66°	14920-1162	14720-1162
11	14.4	14.4	11.4	87.0	76.0	91°	14920-1187	14720-1187
12	15.4	15.4	12.4	44.0	36.0	48°	14920-1244	14720-1244
12	15.4	15.4	12.4	62.0	55.0	66°	14920-1262	14720-1262
12	15.4	15.4	12.4	90.0	77.0	93°	14920-1290	14720-1290
13	16.6	16.6	13.0	44.0	37.0	47°	14920-1344	-
13	16.6	16.6	13.0	62.0	55.0	65°	14920-1362	-
13	16.6	16.6	13.0	90.0	77.0	92°	14920-1390	-

All lengths in mm | AD1 = Outer diameter at the neck flange | AD2 = Outer diameter at cannula tip | ID1 = Inner diameter at the cannula tip of the outer cannula | ID2 = Inner diameter at the cannula tip of the inner cannula | L1 AB = Length over the outer curve | L2 MB = Length over the middle curve | Ø-CD = CUFF diameter | Ø-BW = Bending angle | IC = Inner cannula | AK = Outer cannula

PIKTOGRAMME

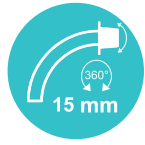


UNI

DE
EN
FR
NL
ES
SV

Außenkanüle 15 mm-Konnektor (UNI)

Outer cannula including 15 mm-connector (UNI)
 Canule externe avec connecteur 15 mm (UNI)
 Buitencanule inclusief 15 mm-connector (UNI)
 Cánula externa con conector de 15 mm (UNI)
 Ytterkanyl inklusive 15 mm anslutning (UNI)



VARIO

DE
EN
FR
NL
ES
SV

Außenkanüle 15 mm-Drehkonnektor (VARIO)

Outer cannula including 15 mm-swivel connector (VARIO)
 Canule externe avec connecteur rotatif 15 mm (VARIO)
 Buitencanule inclusief 15 mm-swivel-connector (VARIO)
 Cánula externa con conector rotatorio de 15 mm (VARIO)
 Ytterkanyl inklusive 15 mm vridanslutning (VARIO)



KOMBI

DE
EN
FR
NL
ES
SV

Innenkanüle mit 22 mm-Konnektor (KOMBI)

Inner cannula with 22 mm-connector (KOMBI)
 Canule interne avec connecteur 22 mm (KOMBI)
 Binnencanule met 22 mm-connector (KOMBI)
 Cánula interna con conector de 22 mm (KOMBI)
 Innerkanyl med 22 mm anslutning (KOMBI)



LINGO

DE
EN
FR
NL
ES
SV

Siebung (LINGO)

Fenestration (LINGO)
 Perforations (LINGO)
 Zeving (LINGO)
 Perforación (LINGO)
 Filtrering (LINGO)

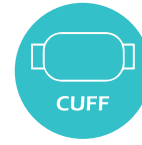


PHON

DE
EN
FR
NL
ES
SV

Sprechventil (PHON)

Speaking valve (PHON)
 Valve de phonation (PHON)
 Spreekventiel (PHON)
 Válvula fonatoria (PHON)
 Talventil (PHON)



CUFF

DE
EN
FR
NL
ES
SV

Mit CUFF

With CUFF
 Avec ballonnet (CUFF)
 Met CUFF
 Con balón (CUFF)
 Med CUFF



SUCTION

DE
EN
FR
NL
ES
SV

Mit Absaugvorrichtung (SUCTION)

With suction line (SUCTION)
 Avec dispositif d'aspiration (SUCTION)
 Met afzuigkanaal (SUCTION) voor subglottisch afzuigen van secreet boven de cuff
 Con linea de succión (SUCTION)
 Med sugslang (SUCTION)



O₂

DE
EN
FR
NL
ES
SV

Mit einem O₂-Anschluss

With oxygen support
 Avec raccord O₂
 Met zuurstofaansluiting (O₂-support)
 Con puerto de oxígeno
 Med O₂-anslutning



MRT

DE
EN
FR
NL
ES
SV

MRT geeignet

MRT suitable
 IRM-compatible
 Geschikt voor MRT
 Compatible con resonancia Magnética
 MR-kompatibel